



High Speed Portable Marker  
Easy to Use  
Quiet, Fast, Efficient Marking  
Large Marking Area

## PD6030 Connect



### Portable Handheld Dot Peen Marking Machine

Portable, fully programmable, high speed dot marking machine for use in all environments where bringing the marking device to the work piece is a prerequisite. Uncompromising build quality and lightweight design ensure the PD6030 Connect marking system is suitable for use in virtually any environment.

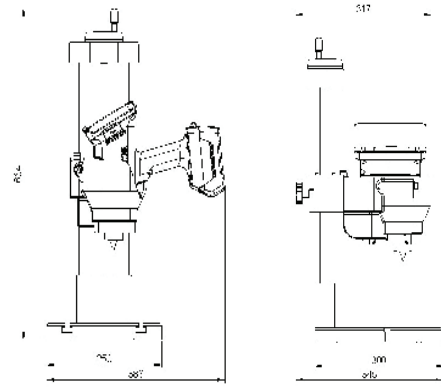
#### Applications Include:

- 2D Data Matrix Marking • Component Traceability • Steel Stock Marking • Serial Numbering
- Chassis VIN Marking • Time & Date Marking • Cast & Forge Marking • Part Numbering
- Batch & Shift Coding • Programmable Marking • Component Identification • Production Line Integration

intelligent marking solutions

## TECHNICAL SPECIFICATIONS

<b>Marking Area</b>	60mm x 30mm
<b>Stylus</b>	50mm x 90° stylus, spare 50mm x 120° stylus
<b>Std. Character Sizes</b>	0.19mm - 59.9mm in 0.19mm (5x7 front) or 0.25mm increments (7x9 front)
<b>Dot Mark output styles</b>	5x7, 7x9, Varidot, HPGL, BMP Logos, QR Codes, 2D Data Matrix
<b>Weight</b>	Marking head/battery 3.7kg
<b>Battery</b>	36V, quick changeover
<b>Battery Charger</b>	AC Input 50/60Hz; 100-240VAC
<b>Dimensions</b>	295mm (H) x 170mm (W) x 303mm (L)



\*Note - Base/Column and hand held marker supplied separately.

### All In One

Based on the PortaDot 60-30 Touch, the P6030 Connect is an 'all-in-one' portable, app-based marking solution. This marker is exclusively distributed by Monode in North America and by Pryor worldwide. The marking machine is supplied in its own case, complete with a battery, battery charger and space for a few key spares.

### Technology

Powered by a Bosch 36V 2A battery and incorporating patented technology to ensure there is no loss of marking force as the battery charge decreases, this is the most portable and versatile dot peen machine on the market.

### Features

- All in one app based marking solution
- Easy to use
- All marking data backed up to internal storage with an option to export via USB
- Robust precision mechanics
- Country specific mains charging cable
- Carry case



### Options

- Additional battery
- Bench style base and column mount
- Face-mask extender



*When identification is critical for traceability or product impact, a quality mark is required. Monode combines creative engineering with a full range of marking solutions to meet your needs. Over a half-century of progress as a trusted "parts marking problem solver" ...that's Monode!*



**Quality Marking Equipment with Integrated Machine Vision Solutions**